

GTUV-EB

Parts List
16-February-2010



This parts list is current as of the above revision date.

Form Number: 92-42810-GTUV-EB

Table of Contents

Model Explanation	Page 3
Parts Numbers	
Panels - Miscellaneous.....	Page 4
Panels - Miscellaneous (2)	Page 5
Electrical Group.....	Page 6
Blower Group	Page 7
Heat Exchanger-Burner Group	Page 8
Gas Controls.....	Page 8
Orifice Selection Chart	Page 9
Drawings/Photographs	
Exploded View	Page 10
Blower Assembly.....	Page 11
Burner Assembly.....	Page 12
Notes	Page 13

MODEL NUMBER EXPLANATION

G	T	U	V	7	5	-	E	3	B
1	2	3	4	5				6	

- (1) **GAS**
- (2) **95% - 2 Stage**
- (3) **UPFLOW CONDENSING**
- (4) **PLACEHOLDER**
- (5) **HEATING INPUT DESIGNATION**
 Electric Ignition Input BTU/HR
 45 = 45,000
 60 = 60,000
 75 = 75,000
 90 = 90,000
 10 = 105,000
 12 = 120,000
- (6) **VARIATION**

SERIAL NUMBER EXPLANATION

H	J	5	D	7	0	7	F	3	1	0	8	9	9	9	9
(1)		(2)	(3)	(4)	(5)	(6)	(7)	(8)		(9)				(10)	

- (1) **GAS CODE**
- (2) **LIMIT CONTROL**
- (3) **BLOWER**
- (4) **HEATING ELEMENT**
- (5) **SPECIAL AREA REQUIREMENT**
- (6) **MOTOR HORSEPOWER**
- (7) **PLANT**
- (8) **WEEK**
- (9) **YEAR**
- (10) **PRODUCTION NUMBER**

No.	Notes	MODEL HEATING CAPACITY VARIATIONS	GTUV 45 E3B	GTUV 60 E3B	GTUV 75 E3B	GTUV 75 E4B	GTUV 90 E5B	
PANELS, SHEET METAL, MISCELLANEOUS								
1		Jacket	AS-61824-25	AS-61824-25	AS-61824-25	AS-61824-27	AS-61824-26	
4		Outlet Air Pipe	68-24021-01	68-24021-01	68-24021-01	68-24021-03	68-24021-01	
5		Gasket - Outlet Air Pipe	68-24022-02	68-24022-02	68-24022-02	68-24022-02	68-24022-02	
6		Top Plate	AS-61872-01	AS-61872-01	AS-61872-01	AS-61872-02	AS-61872-02	
7		Locknut - Fresh Air Damper	64-24031-01	64-24031-01	64-24031-01	64-24031-01	64-24031-01	
8		Burner Door	AS-61866-09	AS-61866-09	AS-61866-09	AS-61867-09	AS-61867-09	
9		Blower/Filter Door	AS-67890-11	AS-67890-11	AS-67890-11	AS-67891-11	AS-67891-11	
10		Filter - Plastic	54-24094-01	54-24094-01	54-24094-01	54-24094-02	54-24094-02	
		Filter Retainer Rod	45-24095-01	45-24095-01	45-24095-01	45-24095-01	45-24095-01	
		Filter Rod Support Angle	AE-60520-01	AE-60520-01	AE-60520-01	AE-60520-01	AE-60520-01	
		Filter Support Angle	AE-61883-01	AE-61883-01	AE-61883-01	AE-61883-01	AE-61883-01	
11		Solid Bottom	AE-61874-02	AE-61874-02	AE-61874-02	AE-61874-03	AE-61874-03	
		Button Plug - 2 in. opening	45-22980-08	45-22980-08	45-22980-08	45-22980-08	45-22980-08	
		Button Plug (2) - 2-3/8 in. opening	45-22980-03	45-22980-03	45-22980-03	45-22980-03	45-22980-03	
12		Pressure Switch Assembly	See Electrical Group					
		Silicon Tubing - Pressure Switch	AE-61737-10	AE-61737-10	AE-61737-10	AE-61737-10	AE-61737-10	
13		Trap / Elbow Assembly	68-100651-01	68-100651-01	68-100651-01	68-100651-01	68-100651-01	
14		Water Trap Mount Bracket	AE-61841-01	AE-61841-01	AE-61841-01	AE-61841-01	AE-61841-01	
15		Junction Box Cover	AE-61476-02	AE-61476-02	AE-61476-02	AE-61476-02	AE-61476-02	
16		Door Switch (Push Button)	See Electrical Group					
17		Junction Box	AE-61475-02	AE-61475-02	AE-61475-02	AE-61475-02	AE-61475-02	
		Grommet (5/8 in. Tube)	56-22521-03	56-22521-03	56-22521-03	56-22521-03	56-22521-03	
		Grommet (1/2 in. I.D.)	56-24008-01	56-24008-01	56-24008-01	56-24008-01	56-24008-01	
		Grommet (1/4 in. I.D.)	56-24008-02	56-24008-02	56-24008-02	56-24008-02	56-24008-02	
		Grommet (2 in. opening)	56-22114-06	56-22114-06	56-22114-06	56-22114-06	56-22114-06	
28		Heat Exchanger	See Heat Exchanger Group					
29		Limit - Main Limit (Heat Exchanger Panel)	See Electrical Group					
30		Connector/Transition	68-24047-07	68-24047-07	68-103061-01	68-24047-08	68-24047-08	
31		Induced Draft Blower w/Gasket	See Electrical Group					
		Tubing (1/2 in. I.D.) - Includes Two Hose Clamps (3)	79-25353-82	79-25353-82	79-25353-82	79-25353-82	79-25353-82	
		Tubing Drain Trap (Induced Draft Blower - Includes two Hose Clamps)	791000	791000	791000	791001	791001	
		Elbow (Induced Draft Blower - 1/2 in. barbed)	68-24013-01	68-24013-01	68-24013-01	68-24013-01	68-24013-01	

No.	Notes	MODEL HEATING CAPACITY VARIATIONS	GTUV ALL ALL				
PARTS BAG							
		Complete Parts Bag	AS-100717-01				
2		O-Ring - Fresh Air Damper	68-24032-01				
3		Adapter - Fresh Air Damper and Locknut	68-24114-01				
		1/2 in. Tee	68-21980-02				
		1/2 in. PVC Pipe - 4 in.	68-22024-04				
		Plug - Nylon - 7/8 in.	45-22926-01				
		Plug - Nylon 1-1/8 in.	45-22926-02				
		PVC Vane	68-23473-01				
		PVC Wind Vane - 2-1/2 in.	68-24049-01				
		Hose Clamp	64-22043-01				
		Hose Clamp (2)	64-22043-02				

No.	Notes	MODEL HEATING CAPACITY VARIATIONS	GTUV 10 E5B	GTUV 12 E5B			
PANELS, SHEET METAL, MISCELLANEOUS							
1		Jacket	AS-61824-26	AS-61824-28			
4		Outlet Air Pipe	68-24021-01	68-24021-01			
5		Gasket - Outlet Air Pipe	68-24022-02	68-24022-02			
6		Top Plate	AS-61872-02	AS-61872-03			
7		Locknut - Fresh Air Damper	64-24031-01	64-24031-01			
8		Burner Door	AS-61867-09	AS-61868-09			
9		Blower/Filter Door	AS-67891-11	AS-67892-11			
10		Filter - Plastic	54-24094-02	54-24094-03			
		Filter Retainer Rod	45-24095-01	45-24095-01			
		Filter Rod Support Angle	AE-60520-01	AE-60520-01			
		Filter Support Angle	AE-61883-01	AE-61883-01			
11		Solid Bottom	AE-61874-03	AE-61874-04			
		Button Plug - 2 in. opening	45-22980-08	45-22980-08			
		Button Plug (2) - 2-3/8 in. opening	45-22980-03	45-22980-03			
12		Pressure Switch Assembly	See Electrical Group				
		Silicon Tubing - Pressure Switch	AE-61737-10	AE-61737-10			
13		Trap / Elbow Assembly	68-100651-01	68-100651-01			
14		Water Trap Mount Bracket	AE-61841-01	AE-61841-01			
15		Junction Box Cover	AE-61476-02	AE-61476-02			
16		Door Switch (Push Button)	See Electrical Group				
17		Junction Box	AE-61475-02	AE-61475-02			
		Grommet (5/8 in. Tube)	56-22521-03	56-22521-03			
		Grommet (1/2 in. I.D.)	56-24008-01	56-24008-01			
		Grommet (1/4 in. I.D.)	56-24008-02	56-24008-02			
		Grommet (2 in. opening)	56-22114-06	56-22114-06			
28		Heat Exchanger	See Heat Exchanger Group				
29		Limit - Main Limit (Heat Exchanger Panel)	See Electrical Group				
30		Connector/Transition	68-24047-08	68-24047-09			
31		Induced Draft Blower w/Gasket	See Electrical Group				
		Tubing (1/2 in. I.D.) - Includes Two Hose Clamps (3)	79-25353-82	79-25353-82			
		Tubing Drain Trap (Induced Draft Blower - Includes two Hose Clamps)	791000	791000			
		Elbow (Induced Draft Blower - 1/2 in. barbed)	68-24013-01	68-24013-01			

No.	Notes	MODEL HEATING CAPACITY VARIATIONS	GTUV ALL ALL				
PARTS BAG							
		Complete Parts Bag	AS-100717-01				
2		O-Ring - Fresh Air Damper	68-24032-01				
3		Adapter - Fresh Air Damper and Locknut	68-24114-01				
		1/2 in. Tee	68-21980-02				
		1/2 in. PVC Pipe - 4 in.	68-22024-04				
		Plug - Nylon - 7/8 in.	45-22926-01				
		Plug - Nylon 1-1/8 in.	45-22926-02				
		PVC Vane	68-23473-01				
		PVC Wind Vane - 2-1/2 in.	68-24049-01				
		Hose Clamp	64-22043-01				
		Hose Clamp (2)	64-22043-02				

No.	Notes	MODEL HEATING CAPACITY VARIATIONS	GTUV 45 E3B	GTUV 60 E3B	GTUV 75 E3B	GTUV 75 E4B	GTUV 90 E5B	
ELECTRICAL GROUP								
12	Stk	Pressure Switch Assembly	42-102056-01	42-102056-06	42-102056-13	42-102056-02	42-102056-03	
12	Stk	Pressure Switch Assembly - Option 278	N/A	N/A	N/A	N/A	N/A	
16		Door Switch (Push Button)	42-22692-02	42-22692-02	42-22692-02	42-22692-02	42-22692-02	
19	Stk	Transformer	46-24124-03	46-24124-03	46-24124-03	46-24124-03	46-24124-03	
21		Integrated Furnace Control Board (IFC)	See Gas Controls					
26	Stk	Choke - Power Factor	46-24256-02	46-24256-02	46-24256-02	46-24256-02	46-24256-02	
29	Stk	Limit - Main Limit (Heat Exchanger Panel)	47-25350-06	47-25350-05	47-25350-09	47-25350-01	47-25350-01	
34a	Stk	Limit - Manual Reset (Burner Compartment)	47-22861-02 (1)	47-22861-02 (1)	47-22861-02 (2)	47-22861-02 (2)	47-22861-02 (2)	
31	Stk	Induced Draft Blower w/Gasket	70-100612-02	70-100612-02	70-100612-02	70-100612-02	70-100612-02	
		Twist Lock Wiring Harnesses - 15 pin to (5 pin/3 pin/6 terminals), 14 wires from 15 pin	45-24393-06	45-24393-06	45-24393-06	45-24393-06	45-24393-06	
		Wiring Harnesses - 3 pin to ring terminal, quick connect and strip lead	45-24371-42	45-24371-42	45-24371-42	45-24371-42	45-24371-42	
		Wiring Harnesses - 5 pin to 3 pin and 2 pin	45-24371-33	45-24371-33	45-24371-33	45-24371-33	45-24371-33	
		Wiring Harnesses - 16 pin to 16 pin	45-102641-01	45-102641-01	45-102641-01	45-102641-01	45-102641-01	
		Wiring Harnesses - 15 pin to (12 pin/3 pin/2 flag terminals), 14 wires from 15 pin	45-102667-01	45-102667-01	45-102667-01	45-102667-01	45-102667-01	
		Wiring Harness - 6 pin to (2 pin/2 flag terminals), 4 wires from 6 pin	See Gas Controls					

No.	Notes	MODEL HEATING CAPACITY VARIATIONS	GTUV 10 E5B	GTUV 12 E5B				
ELECTRICAL GROUP								
12	Stk	Pressure Switch Assembly	42-103193-01	42-102056-05				
12	Stk	Pressure Switch Assembly - Option 278	N/A	N/A				
16		Door Switch (Push Button)	42-22692-02	42-22692-02				
19	Stk	Transformer	46-24124-03	46-24124-03				
21		Integrated Furnace Control Board (IFC)	See Gas Controls					
26	Stk	Choke - Power Factor	46-24256-02	46-24256-02				
29	Stk	Limit - Main Limit (Heat Exchanger Panel)	47-25350-06	47-25350-01				
34a	Stk	Limit - Manual Reset (Burner Compartment)	47-22861-02 (2)	47-22861-02 (3)				
31	Stk	Induced Draft Blower w/Gasket	70-100612-02	70-100612-02				
		Twist Lock Wiring Harnesses - 15 pin to (5 pin/3 pin/6 terminals), 14 wires from 15 pin	45-24393-06	45-24393-06				
		Wiring Harnesses - 3 pin to ring terminal, quick connect and strip lead	45-24371-42	45-24371-42				
		Wiring Harnesses - 5 pin to 3 pin and 2 pin	45-24371-33	45-24371-33				
		Wiring Harnesses - 16 pin to 16 pin	45-102641-01	45-102641-01				
		Wiring Harnesses - 15 pin to (12 pin/3 pin/2 flag terminals), 14 wires from 15 pin	45-102667-01	45-102667-01				
		Wiring Harness - 6 pin to (2 pin/2 flag terminals), 4 wires from 6 pin	See Gas Controls					

No.	Notes	MODEL HEATING CAPACITY VARIATIONS	GTUV 45 E3B	GTUV 60 E3B	GTUV 75 E3B	GTUV 75 E4B	GTUV 90 E5B	
BLOWER GROUP								
18	Stk	Blower Assembly (Includes items 22-25, 27)	AS-67876-44	AS-67876-45	AS-67876-46	AS-67876-47	AS-67876-48	
19		Transformer w/Fuse	See Electrical Group					
20		Mounting Plate - Control	AE-67877-01	AE-67877-01	AE-67877-01	AE-67877-01	AE-67877-01	
21		Integrated Furnace Control Board (IFC)	See Gas Controls					
22	Stk	Thermistor - Return Air Sensor	47-24253-01	47-24253-01	47-24253-01	47-24253-01	47-24253-01	
23		Housing	AS-61674-02	AS-61674-02	AS-61674-02	AS-61674-02	AS-61674-08	
24	Stk	Blower Motor - ECM	51-24374-26	51-24374-27	51-24374-28	51-24376-23	51-24376-24	
		Motor Mount Kit (Grommets, Screws, Nuts, Belly Band, Brackets)	70-24104-82	70-24104-82	70-24104-82	70-24104-82	70-24104-82	
		ECM Motor Mount (Belly Band)	70-24104-02	70-24104-02	70-24104-02	70-24104-02	70-24104-02	
25		Motor Mount Bracket (4)	AE-61956-01	AE-61956-01	AE-61956-01	AE-61956-01	AE-61956-01	
26		Choke - Power Factor	See Electrical Group					
27	Stk	Blower Wheel	70-24254-02	70-24254-02	70-24254-02	70-103207-01	70-24179-01	

No.	Notes	MODEL HEATING CAPACITY VARIATIONS	GTUV 10 E5B	GTUV 12 E5B				
BLOWER GROUP								
18	Stk	Blower Assembly (Includes items 22-25, 27)	AS-67876-49	AS-61610-72				
19		Transformer w/Fuse	See Electrical Group					
20		Mounting Plate - Control	AE-67877-01	AE-67877-01				
21		Integrated Furnace Control Board (IFC)	See Gas Controls					
22	Stk	Thermistor - Return Air Sensor	47-24253-01	47-24253-01				
23		Housing	AS-61674-08	AS-61674-03				
24	Stk	Blower Motor - ECM	51-24376-25	51-24376-26				
		Motor Mount Kit (Grommets, Screws, Nuts, Belly Band, Brackets)	70-24104-82	70-24104-82				
		ECM Motor Mount (Belly Band)	70-24104-02	70-24104-02				
25		Motor Mount Bracket (4)	AE-61956-01	AE-61956-01				
26		Choke - Power Factor	See Electrical Group					
27	Stk	Blower Wheel	70-24179-01	70-23111-20				

No.	Notes	MODEL HEATING CAPACITY VARIATIONS	GTUV 45 E3B	GTUV 60 E3B	GTUV 75 E3B	GTUV 75 E4B	GTUV 90 E5B	
HEAT EXCHANGER, BURNER / MANIFOLD								
28	Stk	Heat Exchanger	AS-61805-29	AS-61805-30	AS-61805-36	AS-61805-33	AS-61805-32	
29		Limit - Main Limit (Heat Exchanger Panel)	See Electrical Group					
31		Induced Draft Blower w/Gasket	See Electrical Group					
32	Stk	Burner Assembly	AS-61984-03	AS-61984-04	AS-61984-05	AS-61984-05	AS-61984-06	
33		Burner Diffuser	AE-61882-12	AE-61882-11	AE-61882-07	AE-61882-07	AE-61882-08	
34a		Limit - Manual Reset (Burner Compartment)	See Electrical Group					
34b		Bracket - Limit Control	AE-61913-02	AE-61913-02	AE-61913-02 (2)	AE-61913-02 (2)	AE-61913-02 (2)	
35		Burner Shield	AE-61807-01	AE-61807-02	AE-61807-03	AE-61807-03	AE-61807-04	
36	Stk	Manifold (w/o Orifices)	81-24395-01	81-24395-02	81-24395-03	81-24395-03	81-24395-04	
		NOX Burner Inserts	AE-67863-01 (2)	AE-67863-01 (3)	AE-67863-01 (4)	AE-67863-01 (4)	AE-67863-01 (5)	
		NOX Retaining Bracket	AE-67864-06	AE-67864-01	AE-67864-02	AE-67864-02	AE-67864-03	
37		Burner Orifice - Natural Gas	See Orifice Selection Chart					
37		Burner Orifice - LP	See Orifice Selection Chart					
		Number of Orifices	(3)	(4)	(5)	(5)	(6)	
41		Burner Support	AE-61809-11	AE-61809-12	AE-61809-13	AE-61809-13	AE-61809-14	
42		Burner Support Bracket (2)	AE-61808-01	AE-61808-01	AE-61808-01	AE-61808-01	AE-61808-01	

No.	Notes	MODEL HEATING CAPACITY VARIATIONS	GTUV 10 E5B	GTUV 12 E5B				
HEAT EXCHANGER, BURNER / MANIFOLD								
28	Stk	Heat Exchanger	AS-103085-01	AS-61805-35				
29		Limit - Main Limit (Heat Exchanger Panel)	See Electrical Group					
31		Induced Draft Blower w/Gasket	See Electrical Group					
32	Stk	Burner Assembly	AS-61984-07	AS-61984-08				
33		Burner Diffuser	AE-61882-09	AE-61882-10				
34a		Limit - Manual Reset (Burner Compartment)	See Electrical Group					
34b		Bracket - Limit Control	AE-61913-02 (2)	AE-61913-02 (2)				
35		Burner Shield	AE-61807-05	AE-61807-06				
36	Stk	Manifold (w/o Orifices)	81-24395-05	81-24395-06				
		NOX Burner Inserts	AE-67863-01 (6)	AE-67863-01 (7)				
		NOX Retaining Bracket	AE-67864-04	AE-67864-05				
37		Burner Orifice - Natural Gas	See Orifice Selection Chart					
37		Burner Orifice - LP	See Orifice Selection Chart					
		Number of Orifices	(7)	(8)				
41		Burner Support	AE-61809-15	AE-61809-16				
42		Burner Support Bracket (2)	AE-61808-01	AE-61808-01				

No.	Notes	MODEL GAS CODE	GTUV HJ	GTUV HK			
GAS CONTROLS							
21	Stk	Integrated Furnace Control Board (IFC)	62-103189-01	62-103189-01			
38	Stk	Gas Valve - Natural Gas	60-24394-01	60-101921-01			
38	Stk	Gas Valve - LP	See Note 2	See Note 1			
39	Stk	Flame Sensor	62-23543-01	62-23543-01			
40	Stk	Ignitor - Direct Spark	62-24141-04	62-24141-04			
		Bracket - Direct Spark	AE-61885-02	AE-61885-02			
	Stk	LP Conversion Kit - USA	FP-26	FP-21			
	Stk	LP Conversion Kit - Canada	FP-26	FP-21			
		Wiring Harness - 6 pin to (2 pin/2 flag terminals), 4 wires from 6 pin	N/A	N/A			

90% GAS FURNACE - ORIFICE SELECTION CHART - NATURAL GAS

CAUTION: Selection of the correct Natural Gas Orifice requires the following information for the specific installation:

- 1) Altitude in of the installation (ft.).
- 2) Average energy content of the Natural Gas fuel from the local supplier (BTU/cu. ft.).

For detailed information and instructions for Orifice selection, see the Gas Furnace LP Conversion Kit Index 92-21519-59 and the latest edition of the National Fuel Gas Code Handbook, or the National Standard of Canada, Natural Gas and Propane Installation Code, CAN B149.1.

CAUTION: This information is provided for replacement purposes only. Conversion for operation at High Altitude must be done using the kit specified on the product specification sheet for the unit.

NOTE: This Orifice sizing chart is based on 15,000 BTU/HR per burner.

NOTE: Factory installed orifices are calculated and sized based on a Natural Gas heating value of 1075 BTU/cu. ft. and an elevation of 0 - 2000 ft.

Energy Value (BTU/cu. ft.)	Elevation (ft.)							
	0 - 1999	2000 - 2999	3000 - 3999	4000 - 4999	5000 - 5999	6000 - 6999	7000 - 7999	8000 - 8999
850	62-22175-47	62-22175-48	62-22175-48	62-22175-49	62-22175-49	62-22175-49	62-22175-50	62-22175-50
900	62-22175-48	62-22175-49	62-22175-49	62-22175-49	62-22175-50	62-22175-50	62-22175-50	62-22175-51
975	62-22175-49	62-22175-50	62-22175-50	62-22175-50	62-22175-51	62-22175-51	62-22175-51	62-22175-52
1075	62-22175-50	62-22175-51	62-22175-51	62-22175-51	62-22175-51	62-22175-52	62-22175-52	62-22175-52
1170	62-22175-51	62-22175-51	62-22175-52	62-22175-52	62-22175-52	62-22175-53	62-22175-53	62-22175-53

90% GAS FURNACE - ORIFICE SELECTION CHART - LP

CAUTION: Selection of the correct LP Orifice requires the altitude of the specific installation (ft.).

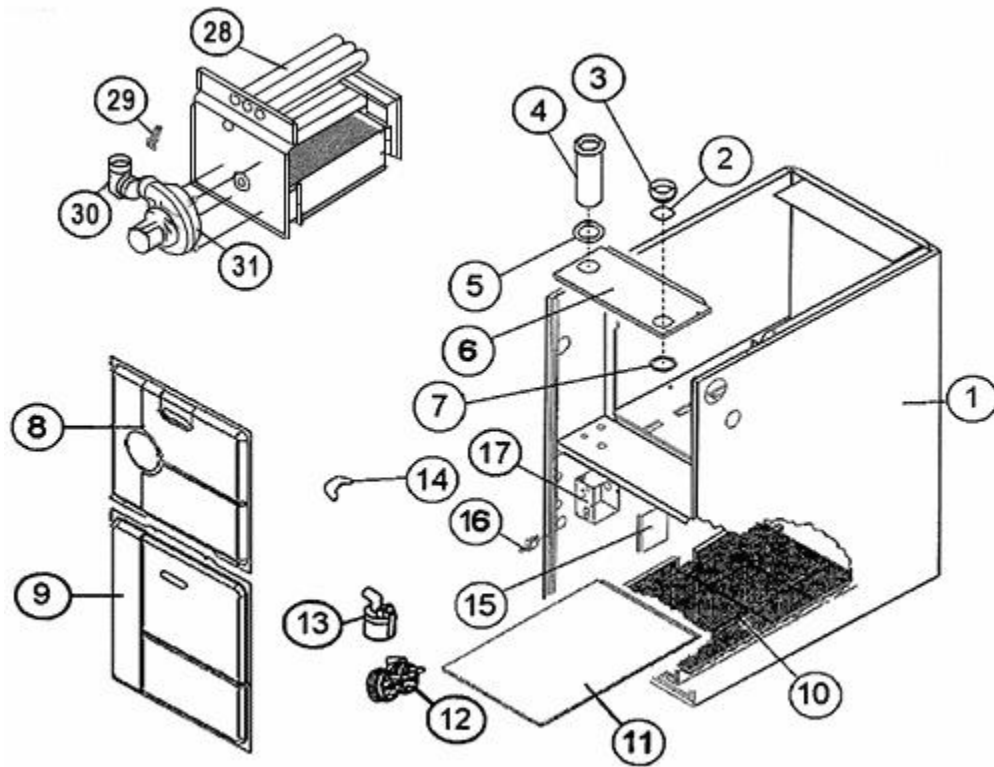
For detailed information and instructions for Orifice selection, see the Gas Furnace LP Conversion Kit Index 92-21519-59 and the latest edition of the National Fuel Gas Code Handbook (NFG), or the National Standard of Canada, Natural Gas and Propane Installation Code, CAN B149.1.

CAUTION: This information is provided for replacement purposes only. Conversion to LP or for operation at High Altitude should be done using the kit(s) specified on the product specification sheet for the unit.

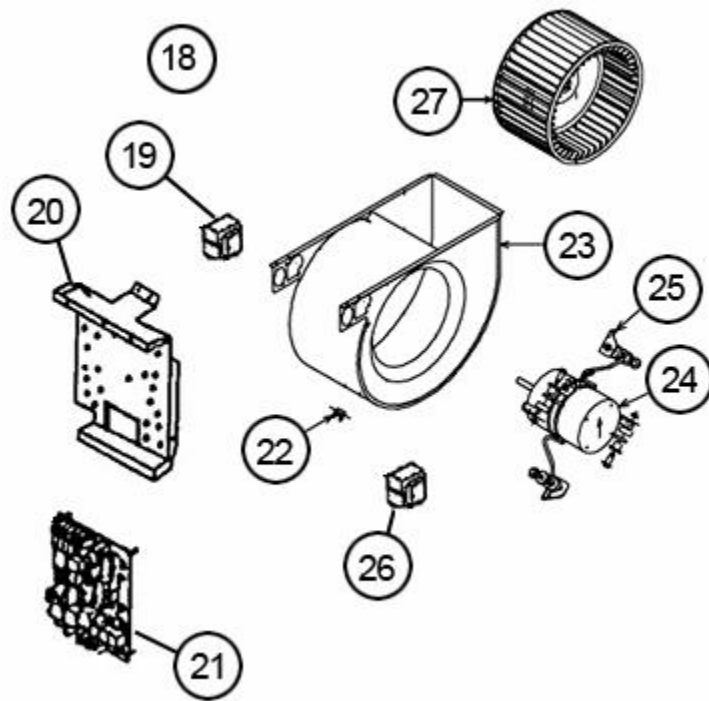
NOTE: This Orifice sizing chart is based on 15,000 BTU/HR per burner. Also, the chart is developed using the specified pressure setting of 10 in. water column instead of the 11.0 in water column used by the NFG and CANB149.1.

NOTE: Orifices supplied in the LP Conversion Kit are calculated and sized based on an altitude of 0 - 2000 ft.

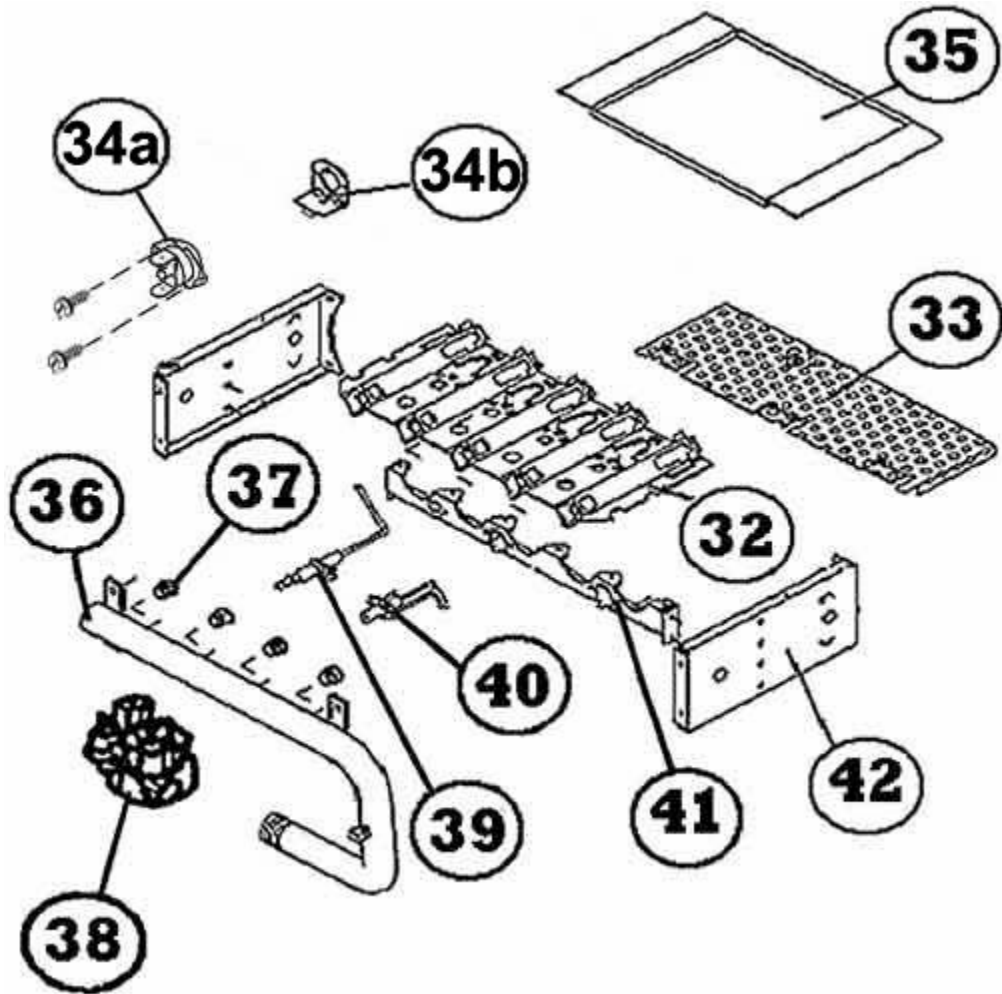
Elevation (ft.)	Orifice							
0 to 2000 ft.	62-22175-91							
2001 to 3000	62-22175-91							
3001 to 4000	62-22175-90							
4001 to 5000	62-22175-58							
5001 to 6000	62-22175-59							
6001 to 7000	62-22175-60							
7001 to 8000	62-22175-62							
8001 to 9000	62-22175-63							
9001 to 1000	62-22175-64							



Exploded View



Blower Assembly



Burner Assembly

NOTES

- Stk It is recommended that stock be maintained for this part.
N/A Not Applicable
- 1 Order the specified LP Conversion Kit.
 - 2 Order Gas Valve for Natural Gas along with LP Conversion Kit